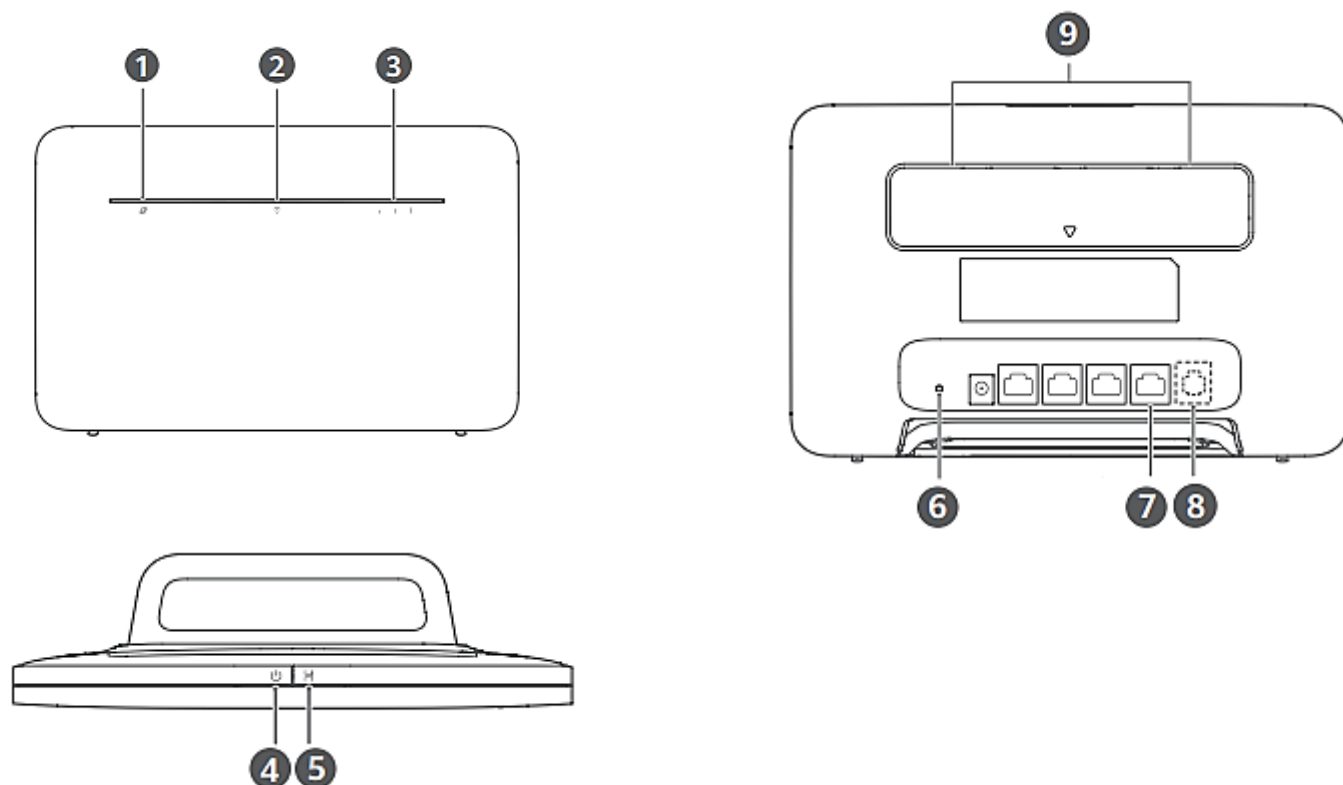


Product Overview



①	Network status indicator	Steady white: Connected to network. Steady red: Not connected to network.
②	Wi-Fi® indicator	Steady on: Wi-Fi is enabled. Flashing: A HiLink device that can be paired is detected. Press the H button on the router, the Wi-Fi indicator will flash faster, and the device will connect to the router's Wi-Fi network.
③	Signal strength indicator	More signal bars indicate a stronger signal.
④	Power button	Press and hold to power the router on or off.
⑤	H button	When Wi-Fi is enabled, press to enable the WPS or HiLink connection. i If you accidentally pressed the H button and the Wi-Fi indicator starts to flash, wait for it to stop flashing. This may take about two minutes.
⑥	Reset button	When the router is powered on, use a needle-type object to press and hold the Reset button, until the network status indicator starts to flash. Release the button, and the router will restore to its factory settings.
⑦	LAN/WAN port	<ul style="list-style-type: none"> Connect a LAN device to the router to access the Internet, such as a computer or switch. Connect the router to a wall-mounted Ethernet port for Internet access.
⑧	Landline phone port(Optional. The actual product appearance and functions prevail.)	Connect to a telephone.
⑨	External antenna ports	Install external antennas to improve signal reception.

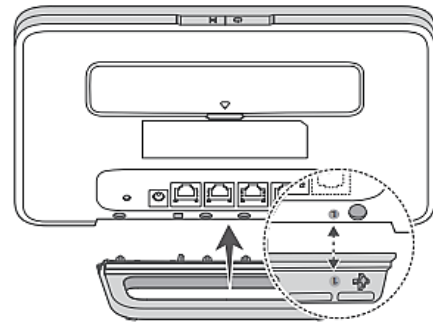


Getting Started

Step 1: Positioning your modem

- Unbox your B535-933 modem and attach the grey stand to help it stay upright.

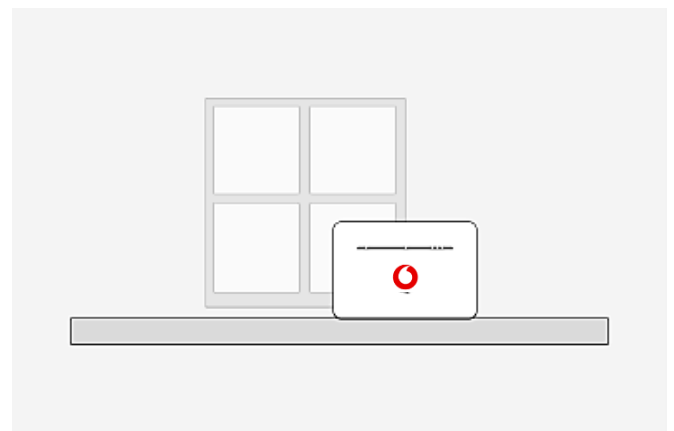
The stand can help keep the router upright to improve its Wi-Fi signal reception



- Place your modem in an open area with access to a power outlet.

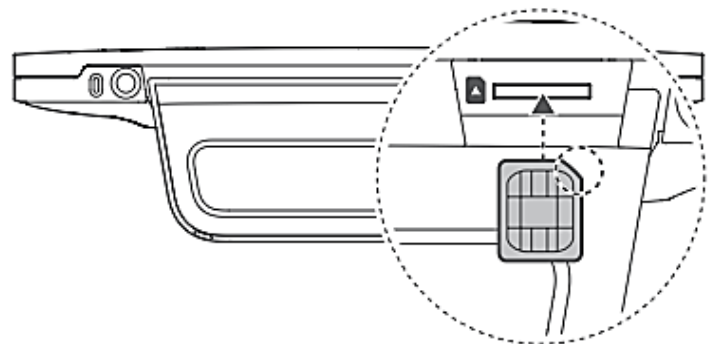
TIP: For a strong signal, position your modem near a window or on a windowsill.

Avoid placing your modem behind books on a shelf, inside any metal cabinet, or under furniture.



Step 2: Inserting SIM card

Insert the SIM card gently into the SIM card slot in the direction shown in the figure below until it clicks. Please ensure to use the right sim card.

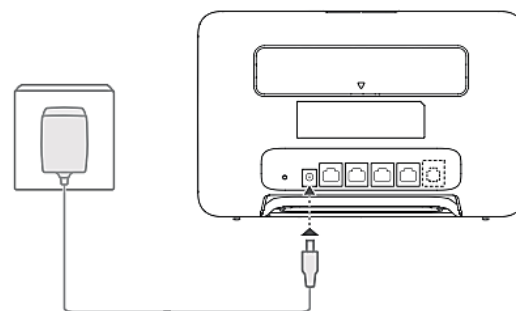


- To remove the SIM card, gently press the SIM card in until it clicks. The card will automatically pop out.
- Do not insert or remove a SIM card when the router is running, as this may affect performance or damage the SIM card.



Step 3: Plug in and power up

- Plug the power adaptor into the back of your modem, connect the other end into a power outlet and turn it on.
- Wait 30-60 seconds for the lights on your modem to come on.
- Look for the white light on the far left of your modem and the signal light bars on the far right of your modem. More bars indicate a stronger signal.



The indicators will turn on when the router has successfully connected to a network.

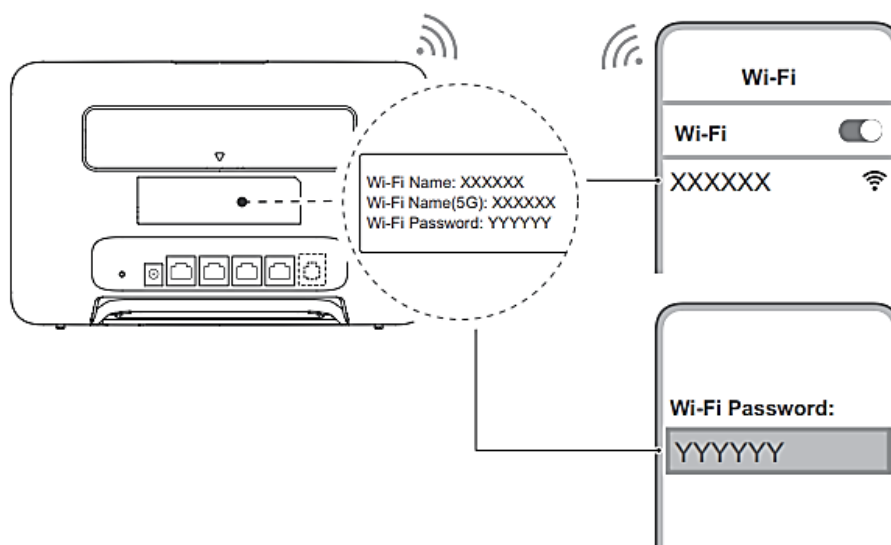
Network Status Indicator

Steady White: Connected to network

Signal Strength Indicator

White: More Signal bars indicate a stronger signal

Step 4: Connecting to your Router's Wi-Fi network



- Once the router has connected to a mobile data network, you can connect your computer or any other Wi-Fi-capable device (E.g., smartphone, tablet, IoT) to the router's Wi-Fi network to access the Internet.
- Please refer to the label on the back of the router for the default Wi-Fi network name (Wi-Fi Name or SSID) and password (Wi-Fi Password).
- When the Wi-Fi light indicator is steady on, Wi-Fi is enabled. To enable or disable Wi-Fi, refer to the router's web-based management page.
- Ensure that you promptly change the Wi-Fi network name and password on the web-based management page to prevent unauthorized access to your Wi-Fi network. Once you have changed the password, you will need to reconnect your device to the router's Wi-Fi network.



Step 5: Managing your router

You can manage the router using the web-based management page. Please refer to the label on the back of the router for the default IP address, password and so on.

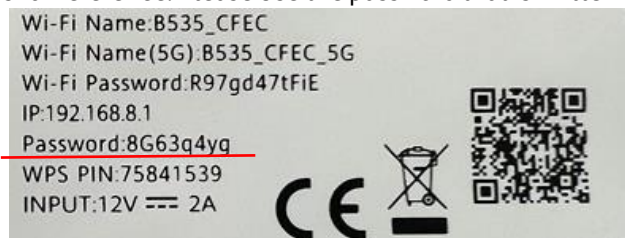
- Ensure that you promptly change the default login password for the web-based management page to prevent unauthorized users from changing the router's settings
- You can also manage your router using the device management app "Huawei AI Life". The app is available for download from Huawei AppGallery, Google PlayStore or iOS AppStore. Scan the QR code below to download the app.



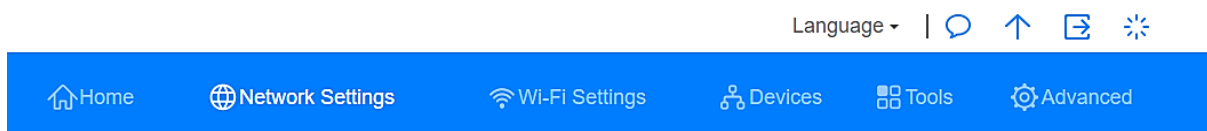
Basic Settings

1. How To Set Up APN

- Once you have connected to the Wi-Fi network, open up a web browser and go to web address **192.168.8.1**
- Enter the default password located at the back of the router (Note: The underlined example below is for reference. Please use the password that is written on your router.)



- Once successfully logged in, click on **Network Settings** on the menu bar.



- Scroll down to 'Profiles' and click on the **Plus (+)** sign. Enter 'Vodafone PNG' as the Profile Name. Enter 'internet' as the APN. Tick the 'Set as Default Profile' box. Click 'Save'.



Profile Management

Profile name

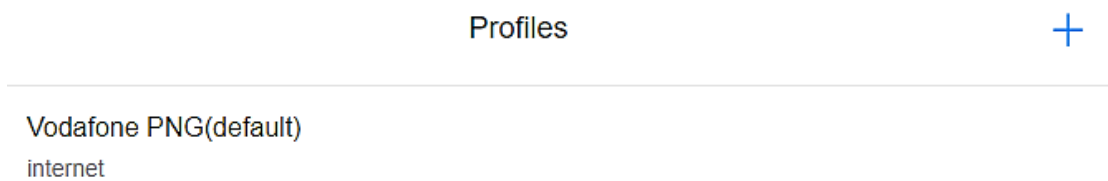
Set as Default Profile

APN

User name

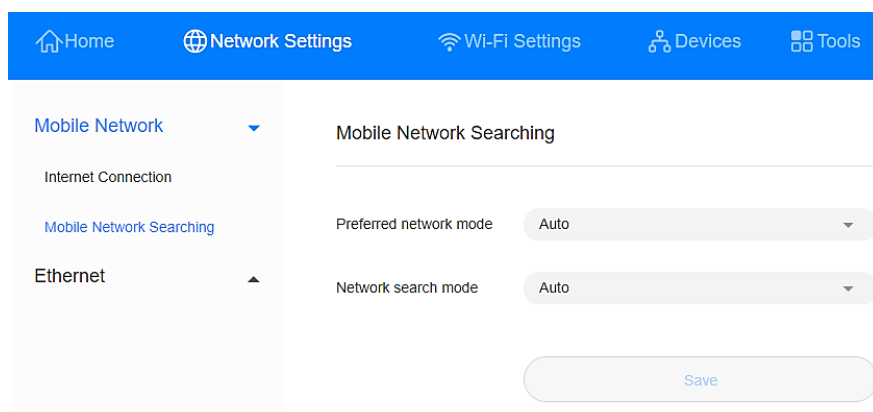
Password

- Once done, you will see your newly created internet APN Profile.

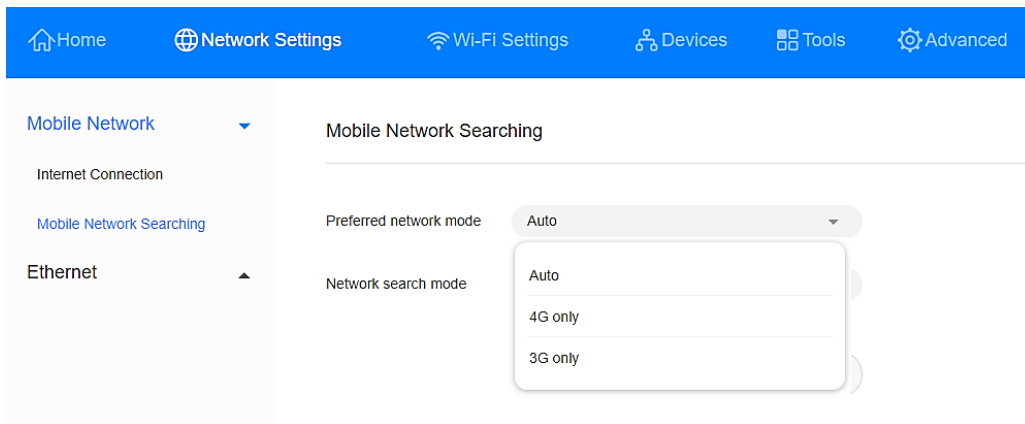


2. How To Change Network Mode

- Under 'Network Settings' menu, click on 'Mobile Network Sharing' located on the side menu.



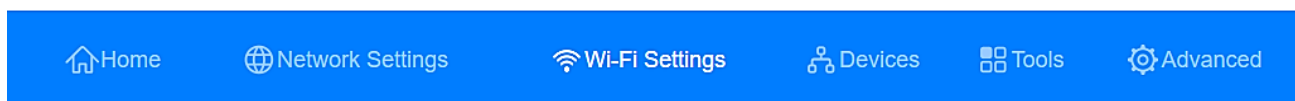
- From here, you can toggle between Auto, 4G Only and 3G Only on the Preferred Network Mode. It is recommended to keep the network mode locked to 'Auto' for a seamless experience.



- Click 'Save' once done. This operation will disconnect the network and affect your data services. Services will be rebooted in 30 seconds – 1 minute.

3. How To Change Wi-Fi Name & Password

- Once you have connected to the Wi-Fi network, open up a web browser and go to web address **192.168.8.1**
- Enter your default password located at the back of the router
- Once successfully logged in, click on **Wi-Fi Settings** on the menu bar



5 GHz preferred	<input checked="" type="checkbox"/>	
Wi-Fi	<input checked="" type="checkbox"/>	
2.4/5 GHz Wi-Fi name	<input type="text" value="B535_CFEC"/>	(2.4Ghz) To change Wi-Fi name/SSID, enter new name here
	<small>The optimal frequency will be used when 5 GHz preferred is enabled.</small>	
Security mode	<input type="text" value="WPA2-PSK"/>	(2.4Ghz) To change Wi-Fi password, enter new password here
Wi-Fi password	<input type="password" value="....."/>	(5Ghz) To change Wi-Fi name/SSID, enter new name here
5 GHz Wi-Fi name	<input type="text" value="B535_CFEC_5G"/>	(5Ghz) To change Wi-Fi password, enter new password here
	<small>Connect to this Wi-Fi to use 5 GHz Wi-Fi only.</small>	
Security mode	<input type="text" value="WPA2-PSK"/>	
Wi-Fi password	<input type="password" value="....."/>	

- Click 'Save' to save and apply your new settings.

-----END-----